

DATA SHEET

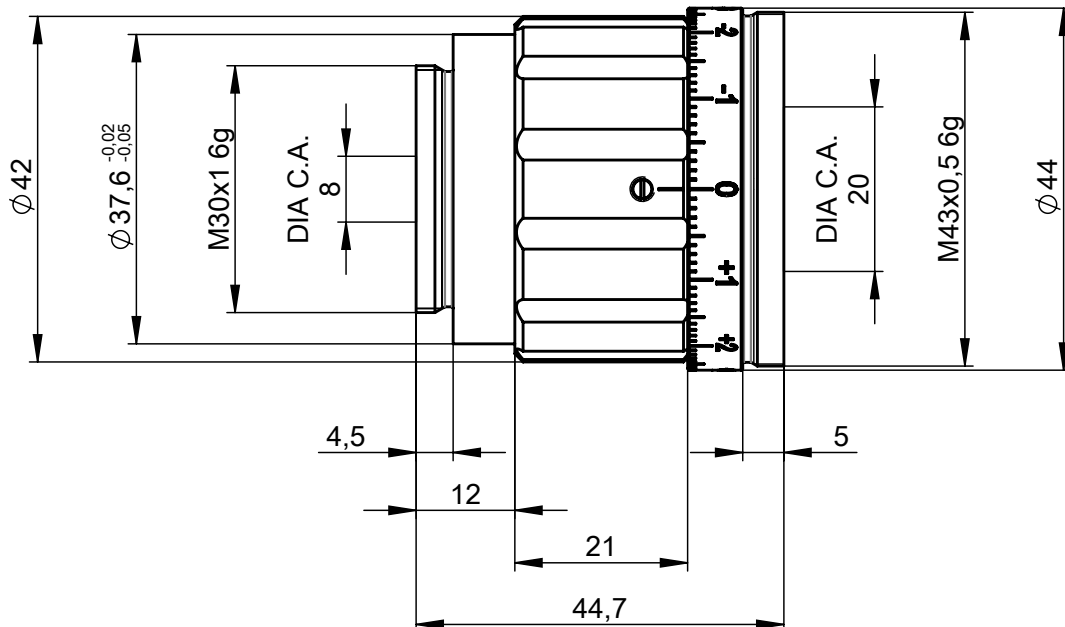


S6EXK0035/075

Beamexpander
magnification 3.5
for 355 nm
fused silica



outline drawing



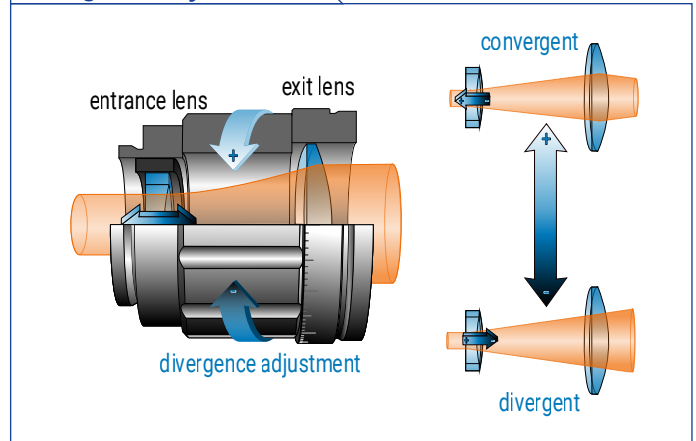
DATA SHEET



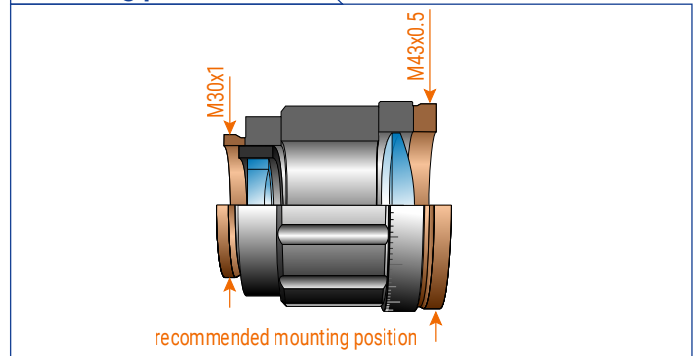
specifications

article number	S6EXK0035/075
design wavelength [nm]	355
magnification factor	3.5
divergence adjustable	yes
optical principle	Galilei (no internal focus)
pointing stability [mrad]	< 1
clear input aperture [mm]	8.0
clear output aperture [mm]	20.0
recommended beam-Ø [mm] ¹⁾	
total number of lenses	2
total transmission [%]	
lens material	fused silica
LIDT (coating) [J/cm ²]	5.0 J/cm ² per 1ns pulse at 50Hz
SP and USP usable	yes
SP and USP usable, reversed usage	yes
mounting thread	M30x1
weight [kg]	not yet weighed
accessory	

divergence adjustment



mounting positions



remarks

¹⁾ clipped at 1/e ² ; wavefront error on axis (PV) < λ/10 (value provided by design)
magnification (reversed mode) = 1 / magnification (regular mode)
divergence adjustment = 0 → collimated input beam results in collimated output beam
maximum divergence adjustment is ± 3 mm
RoHS compliant
length at divergence setting „0“ stated in the drawing - length extension of max. 3 mm is possible

back reflection position

back reflections [mm]	0.00
back reflections reverse [mm]	0.00
0.00	
0.00	
0.00	